

YSDT480 SERIES 480W



YSDT series are designed with metal housing and for three phase system with wide range from 340V AC to 550V AC.

The series offer built-in constant current limiting circuit and active PFC function, and operating in wide temperature range.

They are suitable for industrial-related applications such as industrial control, semiconductor fabrication equipment, and factory automation etc.

Features



3-phase 340~550VAC wide Range Input
(2-phase operation possible)



Built-in Active pF_c Function



protection: short circuit/overload
/over Voltage/over Temperature



DC OK Relay contact



Built-in constant current Limiting circuit



High Efficiency 92% and
Low power Dissipation



Full power Between -30~+60 °C



Three years warranty

Model Information

yingjiao Part number	DC VOLTAGE	RATED CURRENT	RATED POWER	VOLTAGE ADJ. RANGE
YSDT480-24	24V	20A	480W	24 ~ 28V
YSDT480-48	48V	10A	480W	48 ~ 55V

Input

RATED INPUT	Three-Phase 380~ 480VAC (Dual phase operation possible) 480 ~ 780VDC
INPUTVOLTAGE RANGE	340 ~ 550VAC/480 ~ 780VDC
FREQUENCY RANGE	47~63Hz
POWER FACTOR (TYP.)	PF \geq 0.9/400VAC at full load PF \geq 0.88/500VAC at full load
EFFICIENCY (TYP.)	92.5% YSDT480-24 93.0% YSDT480-48
AC CURRENT (TYP.)	0.85A/400VAC 0.7A/500VAC
INRUSH CURRENT (TYP.)	COLD START 50A
LEAKAGE CURRENT	<3.5mA / 530VAC

Output

RIPPLE & NOISE (max.)	150mVp-p
VOLTAGETOLERANCE	\pm 1.0%
LINE REGULATION	\pm 0.5%
LOAD REGULATION	\pm 1.0%
SETUP, RISE TIME	1200ms, 60ms/400VAC at full load 800ms, 60ms/500VAC at full load
HOLD UPTIME (TYP.)	20ms / 400VAC at full load 20ms / 500VAC at full load

Protection

OVER LOAD	105 ~ 130% rated output power. Protection tType: Constant current limiting, unit will hiccup after 3 sec., re-power on to recover.
OVERVOLTAGE	29~33V YSDT480-24 56~65V YSDT480-48 Protection tType: Shutdown o/p voltage, re-power on to recover.
OVERTEMPERATURE	Shutdown o/p voltage, recovers automatically after temperature goes down.

Environment

WORKINGTEMP.	-30 ~ +70 °C (Refer to "Derating Curve")
WORKING HUMIDITY	20 ~ 95% RH non-condensing
STORAGETEMP., HUMIDITY	-40 ~ +85 °C, 10 ~ 95% RH non-condensing
COLD START	-40 °C
TEMP. COEFFICIENT	±0.03%/ °C (0 ~ 50 °C)
VIBRATION	Component:10 ~ 500Hz, 2G 10min./1cYcle, 60min. each alongX, Y, Z axes; Mounting: Compliance to IEC60068-2-6
MTBF	1000K hrs min.TelcordiaSR-332(Bellcore)

SAFETY & EMC

SAFETY STANDARDS	UL61010-1, UL61010-2-201, BS EN/EN61010-1
WITHSTANDVOLTAGE	I/P-O/P:3KVAC I/P-FG:2KVAC O/P-FG:0.5KVAC O/P-DC OK:0.5KVAC
ISOLATION RESISTANCE	I/P-O/P, I/P-FG, O/P-FG:> 100M Ohms / 500VDC / 25 / 70% RH
EMC EMISSION	BS EN/EN55032(CISPR32)
EMC IMMUNITY	BS EN/EN61000-4-2, 3, 4, 5, 6, 8

Note

-
- 1.All parameters NOT specially mentioned at 400VAC input, rated load and 25°C of ambient temperature.
 - 2.Ripple & noise are measured at 20MHz of bandwidth by using a 12, twisted pair-wire terminated with a 0.1uF & 47uF parallel capacitor.
 - 3.Installation clearances: top with 40mm, bottom with 20mm, left and right with 5mm. Increase the space to 10-15mm when the adjacent device is heat source.
 - 4.The ambient temperature derating of 3.5 °C/1000m for operating altitude higher than 2000m(6500ft).
 - 5.The power supply is considered a component which will be installed into a final equipment. The final equipment must be re-confirmed that it still meets EMC directives. For guidance on how to perform these EMC tests, please refer to "EMI testing of component power supplies."
-

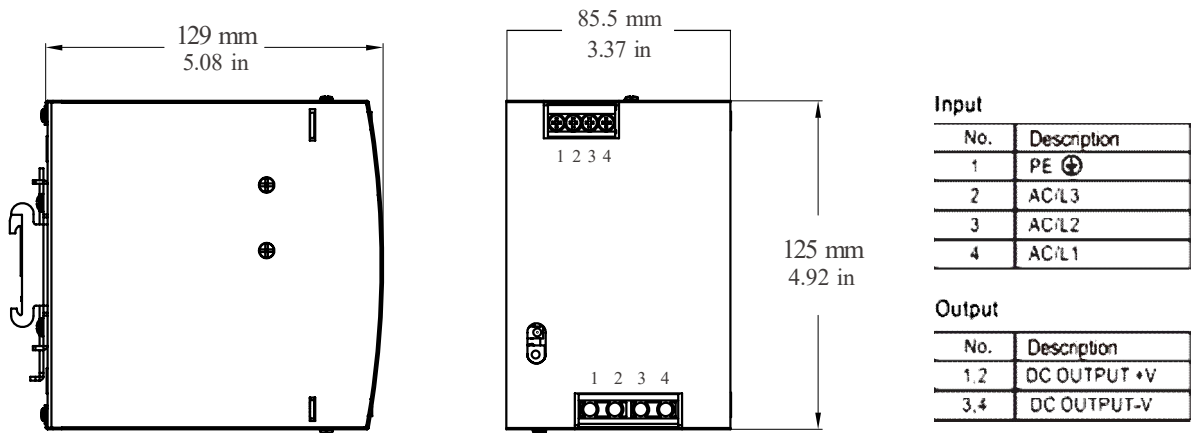
Dimensions & Weight

Length:	85.5mm / 3.37in
Width:	129mm / 5.08in
Height:	125mm / 4.92in
Weight:	1.51kg

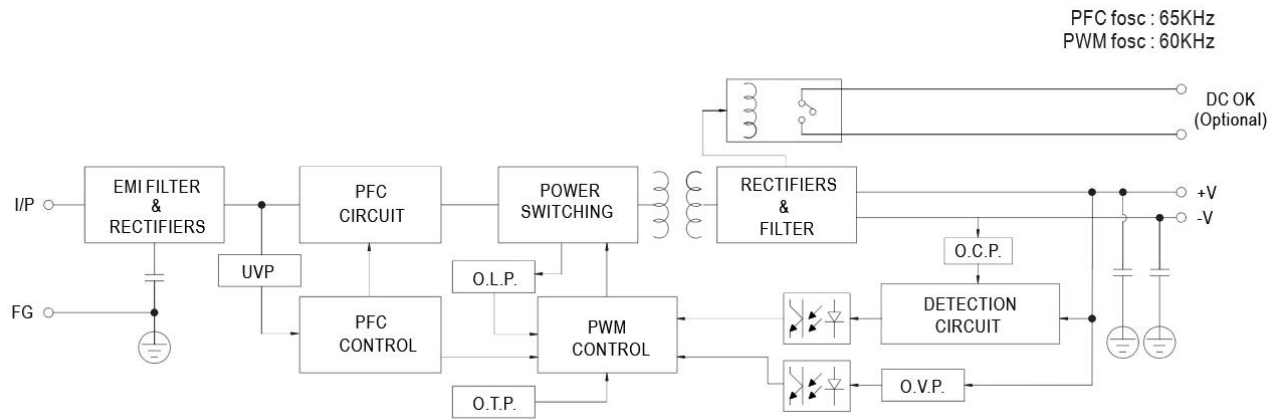
Packing

Carton size:	49 X 34.5 X 16.5 cm 19.3 X 13.6 X 6.5 in
Master carton Quantities:	8pcs / carton

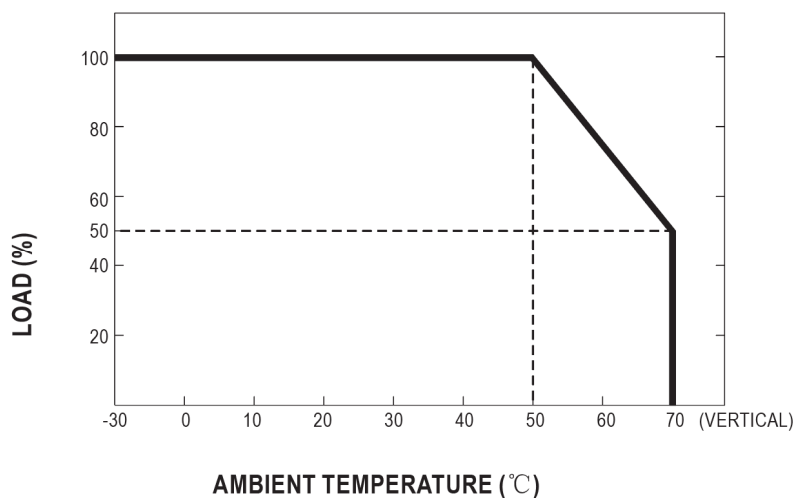
Mechanical Specification



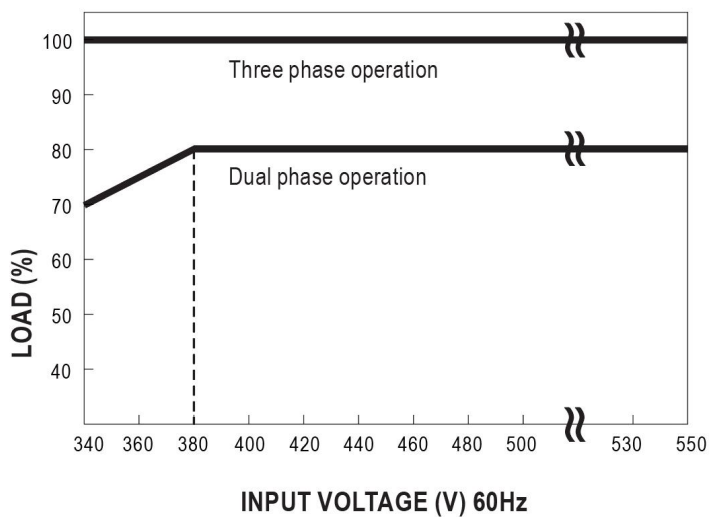
Block Diagram



Deduction curve and Temperature



Minus output and Input voltage curves



DC OK Relay Contact

Contact Close	PSU turns on/DC OK
Contact Ope	PSU turns off/DC Fail
Contact Rating(max.)	60VDC/0.3A, 30VDC/1A, 30VAC/0.5A resistive load.

Control Pin(Optional): XH-2WAP ~ 20WAP-02P or equivalent			
Pin No.	Assignment	Mating Housing	Wire Diameter
1,2	DC OK Relay Contact	XH-2WAP ~ 20WAP-02P or equivalent (Including in the single package)	0.128~0.404mm ² (26~24AWG)

