

YSV24 USB SERIES

Input: 85-265VAC 50/60Hz
Output Voltage: 5V-36V DC
Rated Power: 18W max



Features

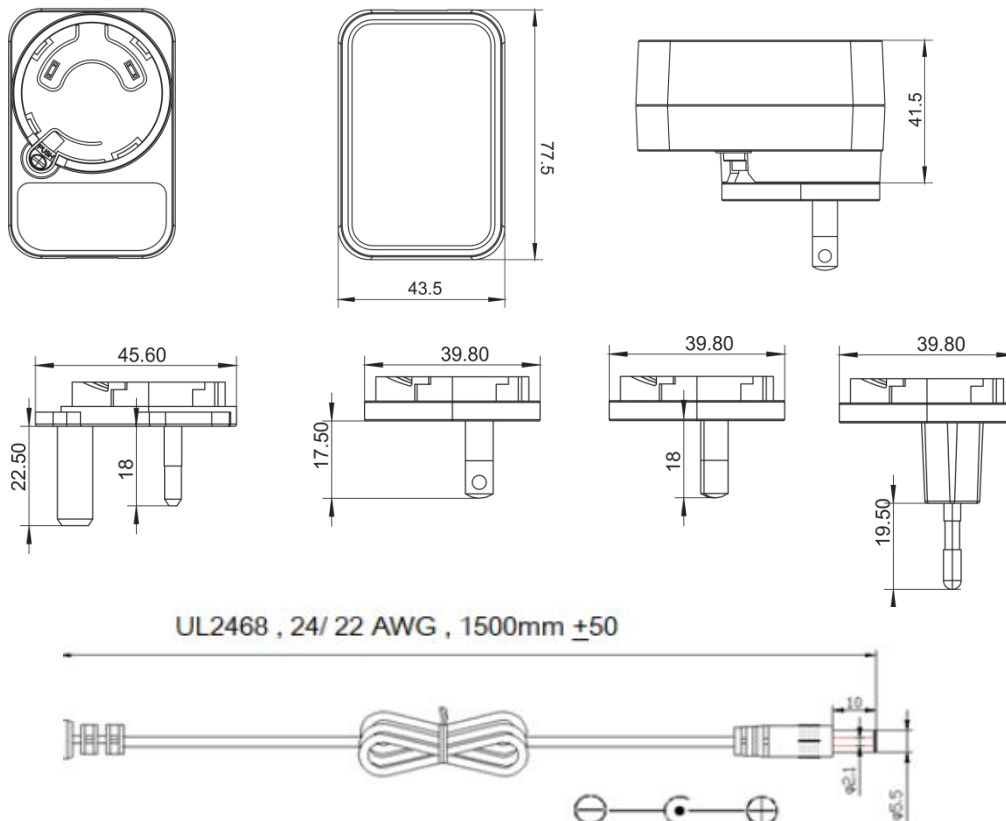
Univeral AC input/ Full range
 Energy efficiency level VI
 Leakage Current: < 0.25mA
 Extremely low leakage current
 Protection:Over load/Over voltage/Short circuit
 Withstand voltage : 3KV
 Life Warranty: 3 years

Application

Telecommunications,
 Security,
 Access Control Systems
 Home Appliances,
 IT
 Motors
 Medcall



■ Dimensions and Installation

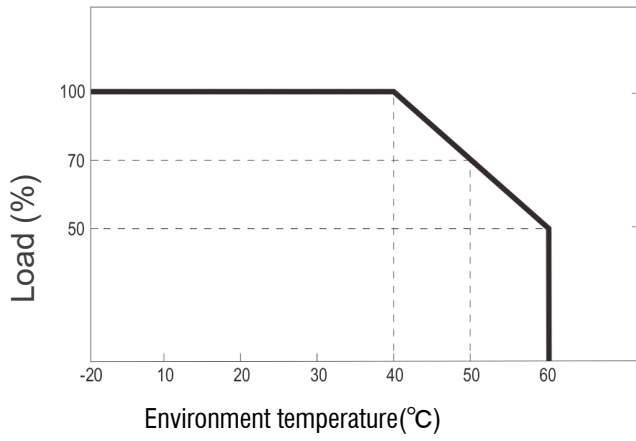


YSV24 USB SERIES

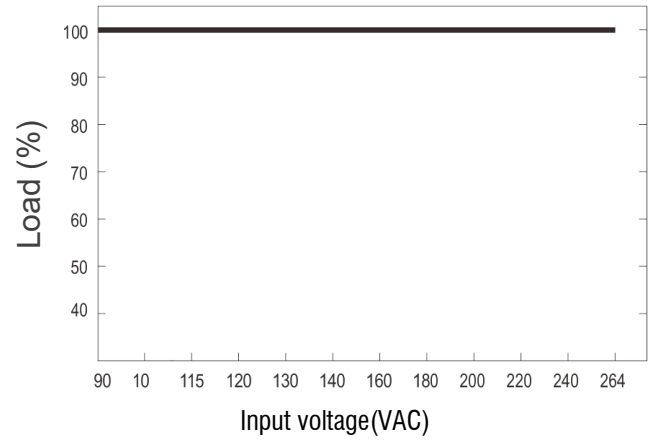
MODEL DETAIL SPEC.		YSV24-0503000	YSV24-0902000	YSV24-1201500
INPUT	Input Voltage:	85-265VAC		
	Input Frequency:	50/60Hz		
	Inrush Current:	40A/115VAC 60A/230VAC		
	AC Current:	0.5A max.		
	Leakage Current:	< 0.25mA/240VAC		
	Efficiency:	81%	85%	86%
OUTPUT	DC Voltage:	5V	9V	12V
	Rated Current:	3A	2A	1.5A
	Rated Power:	15W	18W	18W
	Voltage Tolerance:	±5.0%	±5.0%	±5.0%
	Ripple and Noise:	100mVp-p	100mVp-p	120mVp-p
	Line Regulation:	±3%		
	Load Regulation:	±5%		
	Setup, Rise, Hold Up time:	500ms, 30ms/120ms 230VAC 1000ms, 30ms/25ms 115VAC at full load		
ENVIRONMENTAL	Operating Temperature:	-20 ~ +60 (Refer to "Derating Curve")		
	Storage Temp:	-40°C ~ 85°C		
	Storage Humidity:	10 ~ 95% RH		
	Working Humidity:	20 ~ 95% RH non-condensing		
PROTECTION	Over Load:	105% -150% rated output power		
		Protection type: Hiccup mode, recovers automatically after fault condition is removed		
	Over Voltage:	105% -130% rated output power		
		Protection type: Shut down o/p voltage, re-power on to recover		
Over Temperature:	N/A			
SAFETY & EMC	Safety Regulations:	UL62368-1, TUV BS EN/EN61558-1, EAC TP TC 004, BSMI CNS14336-1, AS/NZS 61558-1 approved		
	Withstand Voltage:	I/P-O/P:3KVAC I/P-FG:2KVAC O/P-FG:0.5KVAC		
	Isolation Resistance:	I/P-O/P, I/P-FG, O/P-FG:100M Ohms / 500VDC / 25°C/ 70% RH		
	EMC Emission:	Compliance to BS EN/EN55014-1:2021 (CISPR32), BS EN/EN61204-3 Class B, BS EN/EN61000-3-2,-3, EAC TP TC 020, CNS13438 Class B		
	EMC Immunity:	EN/EN61000-4-2,3,4,5,6,8,11		
OTHER	MTBF:	500Khrs min. MIL-HDBK-217F(25°C)		
	Size:	77.5*43.5*41mm		
	Weight:	187g / pc		
	Packaging:	50PCS		

YSV24 USB SERIES

Deduction curve and temperature



Minus output and input voltage curves



DC output plug

USB type A