

YS6U SERIES



Input: 85-265VAC 50/60Hz
Output Voltage: 5V-36V DC
Rated Power: 6W max

Features

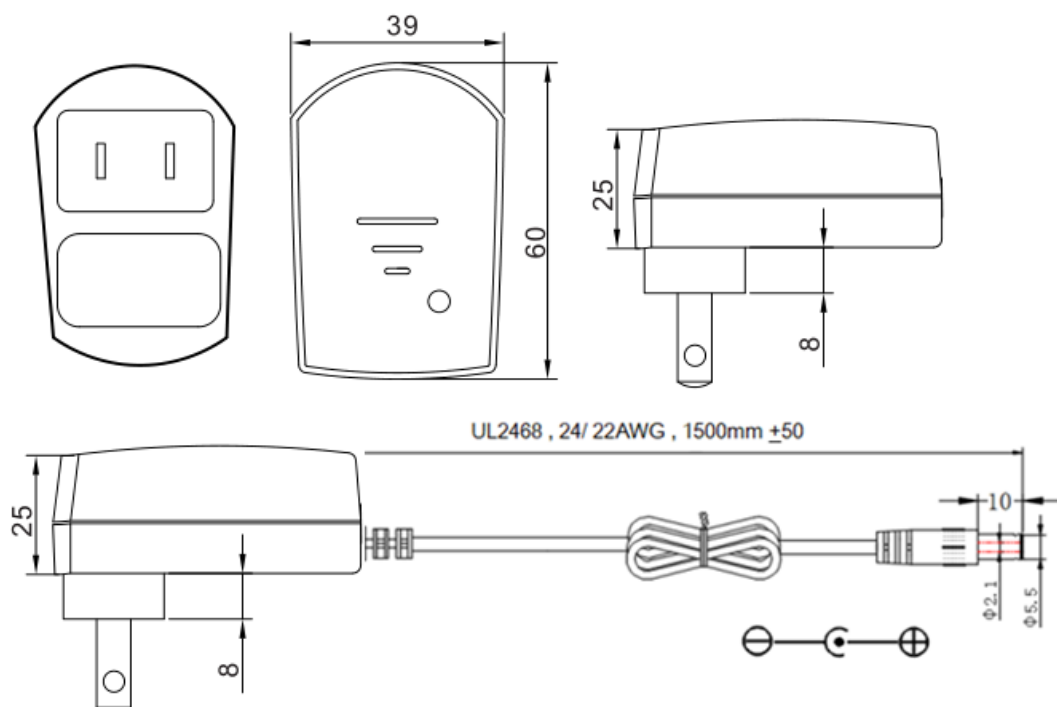
- Univeral AC input/ Full range
- Energy efficiency level VI
- Leakage Current: < 0.25mA
- Extremely low leakage current
- Protection:Over load/Over voltage/Short circuit
- Withstand voltage : 3KV
- Life Warranty: 3 years

Application

- Digital equipment
- Consumer electronic devices
- Telecommunication devices
- Office facilities
- Industrial equipments



■ Dimensions and Installation

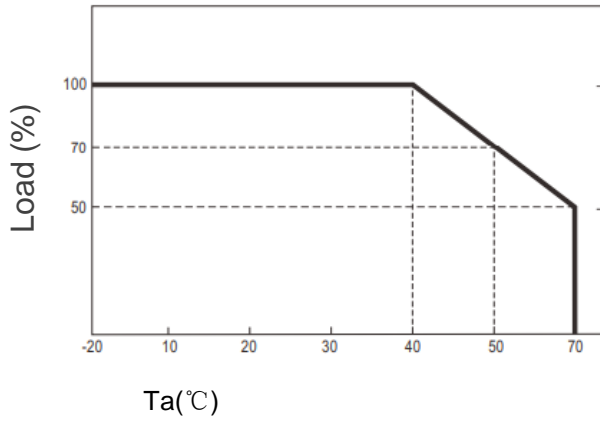


YS6U SERIES

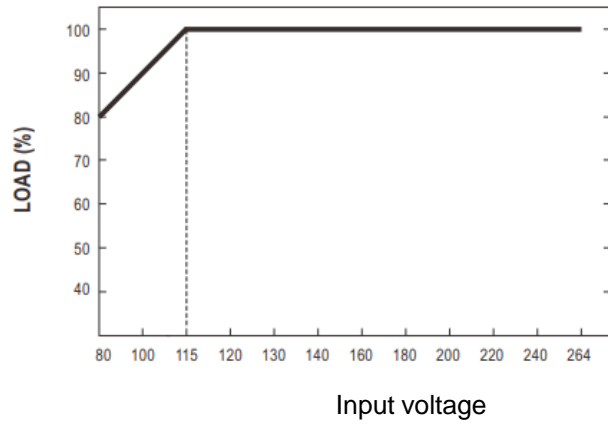
MODEL DETAIL SPEC.		YS6-0501200	YS6-0601000	YS6-0900660	YS6-1200500	YS6-1500400	YS6-2400250
INPUT	Input Voltage:	85-265VAC					
	Input Frequency:	50/60Hz					
	Inrush Current:	15A/115VAC 30A/230VAC					
	AC Current:	0.2A/115VAC 0.21A/230VAC					
	Leakage Current:	< 0.25mA/240VAC					
	Efficiency:	75%	77%	80%	80%	81%	82%
OUTPUT	DC Voltage:	5V	6V	9V	12V	15V	24V
	Rated Current:	1.2A	1A	0.66A	0.5A	0.4A	0.25A
	Rated Power:	6W	6W	6W	6W	6W	6W
	Voltage Tolerance:	±5.0%	±5.0%	±5.0%	±5.0%	±5.0%	±5.0%
	Ripple and Noise:	75mVp-p	75mVp-p	90mVp-p	120mVp-p	120mVp-p	200mVp-p
	Line Regulation:	±3%					
	Load Regulation:	±5%	±5%	±5%	±5%	±5%	±5%
	Setup, Rise, Hold Up time:	500ms, 30ms/120ms 230VAC 1000ms, 30ms/25ms 115VAC at full load					
ENVIRONMENTAL	Operating Temperature:	-20 ~ +70 (Refer to "Derating Curve")					
	Storage Temp:	-40°C ~ 85°C					
	Storage Humidity:	10 ~ 95% RH					
	Working Humidity:	20 ~ 95% RH non-condensing					
PROTECTION	Over Load:	105% -150% rated output power Protection type: Hiccup mode, recovers automatically after fault condition is removed					
	Over Voltage:	105% -130% rated output power Protection type: Shut down o/p voltage, re-power on to recover					
	Over Temperature:	Shut down o/p voltage, re-power on to recover					
SAFETY & EMC	Safety Regulations:	UL62368-1 approved					
	Withstand Voltage:	I/P-O/P:3KVAC I/P-FG:2KVAC O/P-FG:0.5KVAC					
	Isolation Resistance:	I/P-O/P, I/P-FG, O/P-FG:100M Ohms / 500VDC / 25°C / 70% RH					
	EMC Emission:	FCC Part15/CISPR22, CAN ICES-3(B) NMB-3(B), Class B					
	EMC Immunity:	FCC Part15/CISPR22, CAN ICES-3(B) NMB-3(B), Class B					
OTHER	MTBF:	500Khrs min. MIL-HDBK-217F(25°C)					
	Size:	60*25*39mm					
	Weight:	70g / pcs					
	Packaging:	100PCS/CTN					

YS6U SERIES

Deduction curve and temperature









Minus output and input voltage curves




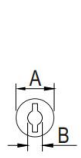
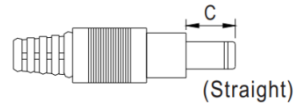
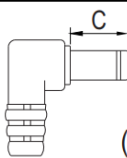

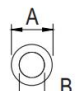
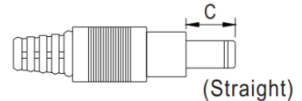
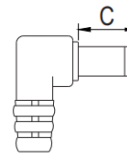

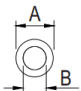
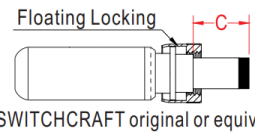

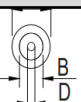
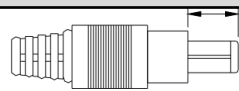

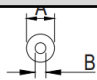
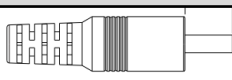
■ **DC output plug**

Standard plug: D1M

D1M		Pin Assignment
		
		Outside    Inside -V not connected to AC FG(standard) -V connected to AC FG(optional)

YS6U SERIES

Optional DC plug: (Available in customized cable or quick adapter)

Tuning Fork Style		Type No.	A	B	C	Quick Adapter Accessory	
			OD	ID	L		
   	D1I	5.5	2.1	9.5	Available (Current rating: 7.5A max.)		
	D1L	5.5	2.5	9.5			
	D1M	5.5	2.1	11.0			
	D1IR	5.5	2.5	9.5			
	D1JR	5.5	2.1	11.0			
	D1LR	5.5	2.5	9.5			
	D1MR	5.5	2.5	11.0			
Barrel Style		Type No.	A	B	C	Quick Adapter Accessory	
			OD	ID	L		
   	D2I	5.5	2.1	9.5	None		
	D2J	5.5	2.1	11.0			
	D2L	5.5	2.5	9.5			
	D2M	5.5	2.1	11.0			
	D2IR	5.5	2.5	9.5			
	D2JR	5.5	2.1	11.0			
	D2LR	5.5	2.5	9.5			
D2MR	5.5	2.5	11.0				
Lock Style		Type No.	A	B	C		
			OD	ID	L		
   <p>SWITCHCRAFT original or equivalent</p>	D2S(S761K)	5.53	2.03	12.06	None		
	D2K(761K)	5.53	2.54	12.06			
	D2C(S760K)	5.53	2.03	9.52			
	D2D(760K)	5.53	2.54	9.52			
Center Pin Style		Type No.	A	B	C	D	Available (Current rating: 7.5A max.)
			OD	ID	L	Center Pin	
   <p>EIAJ equivalent</p>	D4A	5.5	3.4	11.0	1.0		
	D4B	6.5	4.4	11.0	1.4		
	D4C	7.4	5.1	11.0	0.6		
Min. Pin Style		Type No.	A	B	C	Available (Current rating: 5A max.)	
			OD	ID	L		
   <p>EIAJ equivalent</p>	D3A	2.35	0.7	11.0			
	D3B	4.0	1.7	11.0			
	D3C	4.75	1.7	11.0			