

YS5M SERIES



Input: 85-264VAC 50/60Hz
Output Voltage: 5V-48V DC
Rated Power: 5W max

Features

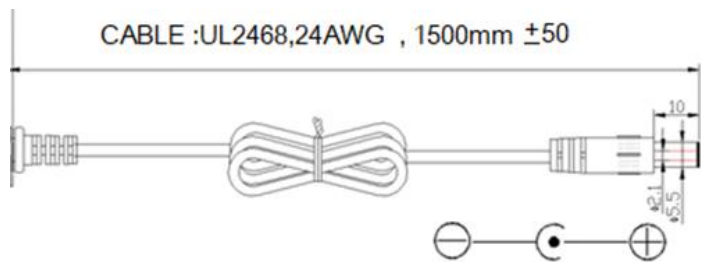
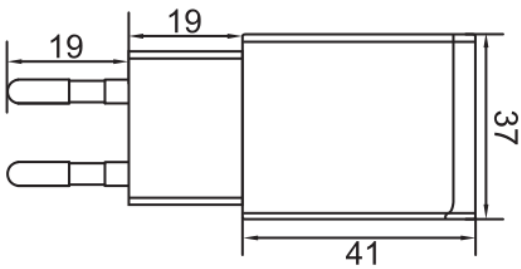
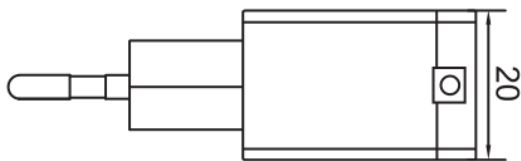
- Univeral AC input/ Full range
- Energy efficiency level VI
- Leakage Current: < 0.1mA
- Extremely low leakage current
- Protection:Over load/Over voltage/Short circuit
- Withstand voltage : 4KV
- Life Warranty: 3 years

Application

Blood pressure monitor



■ Dimensions and Installation

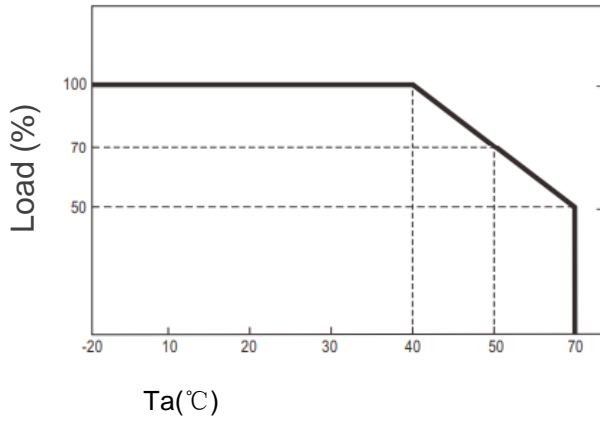


YS5M SERIES

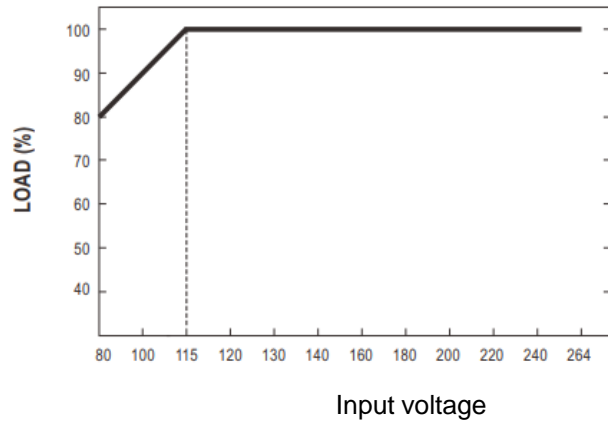
MODEL DETAIL SPEC.		YS5M-0501000	YS5M-0600830	YS5M-0900550	YS5M-1200410	YS5M-1500330	YS5M-2400210
INPUT	Input Voltage:	85-264VAC					
	Input Frequency:	50/60Hz					
	Inrush Current:	15A/115VAC 30A/230VAC					
	AC Current:	0.2A/115VAC					
	Leakage Current:	< 0.1mA/240VAC					
	Efficiency:	75%	77%	80%	80%	81%	82%
OUTPUT	DC Voltage:	5V	6V	9V	12V	15V	24V
	Rated Current:	1A	0.83A	0.55A	0.41A	0.33A	0.21A
	Rated Power:	5W	5W	5W	5W	5W	5W
	Voltage Tolerance:	±5.0%	±5.0%	±5.0%	±5.0%	±5.0%	±5.0%
	Ripple and Noise:	75mVp-p	75mVp-p	90mVp-p	120mVp-p	120mVp-p	200mVp-p
	Line Regulation:	±3%					
	Load Regulation:	±5%	±5%	±5%	±5%	±5%	±5%
	Setup, Rise, Hold Up time:	500ms, 30ms/120ms 230VAC 1000ms, 30ms/25ms 115VAC at full load					
ENVIRONMENTAL	Operating Temperature:	-20 ~ +70 (Refer to "Derating Curve")					
	Storage Temp:	-40°C ~ 85°C					
	Storage Humidity:	10 ~ 95% RH					
	Working Humidity:	20 ~ 95% RH non-condensing					
PROTECTION	Over Load:	105% -150% rated output power					
		Protection type: Hiccup mode, recovers automatically after fault condition is removed					
	Over Voltage:	105% -130% rated output power					
		Protection type: Shut down o/p voltage, re-power on to recover					
Over Temperature:	N/A						
SAFETY & EMC	Safety Regulations:	TUV IEC/EN60601-1 approved					
	Withstand Voltage:	I/P-O/P:4KVAC I/P-FG:2KVAC O/P-FG:0.5KVAC					
	Isolation Resistance:	I/P-O/P, I/P-FG, O/P-FG:100M Ohms / 500VDC / 25°C/ 70% RH					
	EMC Emission:	Compliance to BS EN/EN55032 (CISPR32), BS EN/EN61204-3 Class B, BS EN/EN61000-3-2,-3, EAC TP TC 020, CNS13438 Class B					
	EMC Immunity:	EN/EN61000-4-2,3,4,5,6,8,11					
OTHER	MTBF:	500Khrs min. MIL-HDBK-217F(25°C)					
	Size:	41*37*20mm					
	Weight:	65g / pcs					
	Packaging:	100PCS/CTN					

YS5M SERIES

Deduction curve and temperature









Minus output and input voltage curves




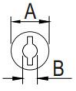
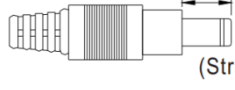
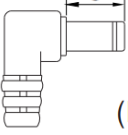

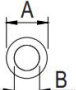
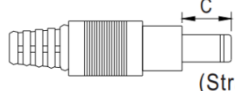
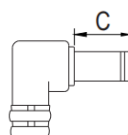

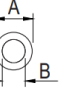
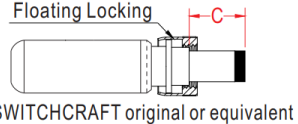

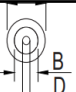
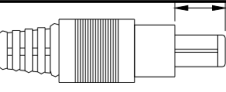

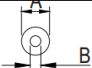
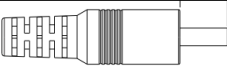
■ **DC output plug**

Standard plug: D1M

D1M		Pin Assignment
		
		Outside    Inside -V not connected to AC FG(standard) -V connected to AC FG(optional)

YS5M SERIES

Optional DC plug: (Available in customized cable or quick adapter)

Tuning Fork Style		Type No.	A	B	C	Quick Adapter Accessory	
			OD	ID	L		
   <p>(Straight)</p>  <p>(Right-angled)</p>	D1I	5.5	2.1	9.5	Available (Current rating: 7.5A max.)		
	D1L	5.5	2.5	9.5			
	D1M	5.5	2.1	11.0			
	D1IR	5.5	2.5	9.5			
	D1JR	5.5	2.1	11.0			
	D1LR	5.5	2.5	9.5			
	D1MR	5.5	2.5	11.0			
Barrel Style		Type No.	A	B	C	Quick Adapter Accessory	
			OD	ID	L		
   <p>(Straight)</p>  <p>(Right-angled)</p>	D2I	5.5	2.1	9.5	None		
	D2J	5.5	2.1	11.0			
	D2L	5.5	2.5	9.5			
	D2M	5.5	2.1	11.0			
	D2IR	5.5	2.5	9.5			
	D2JR	5.5	2.1	11.0			
	D2LR	5.5	2.5	9.5			
D2MR	5.5	2.5	11.0				
Lock Style		Type No.	A	B	C	Quick Adapter Accessory	
			OD	ID	L		
   <p>Floating Locking SWITCHCRAFT original or equivalent</p>	D2S(S761K)	5.53	2.03	12.06	None		
	D2K(761K)	5.53	2.54	12.06			
	D2C(S760K)	5.53	2.03	9.52			
	D2D(760K)	5.53	2.54	9.52			
Center Pin Style		Type No.	A	B	C	D	Quick Adapter Accessory
			OD	ID	L	Center Pin	
   <p>EIAJ equivalent</p>	D4A	5.5	3.4	11.0	1.0	Available (Current rating: 7.5A max.)	
	D4B	6.5	4.4	11.0	1.4		
	D4C	7.4	5.1	11.0	0.6		
Min. Pin Style		Type No.	A	B	C	Quick Adapter Accessory	
			OD	ID	L		
   <p>EIAJ equivalent</p>	D3A	2.35	0.7	11.0	Available (Current rating: 5A max.)		
	D3B	4.0	1.7	11.0			
	D3C	4.75	1.7	11.0			