

YS10 USB SERIES



Input: 100-240VAC 50/60Hz
 Output Voltage: 5V DC
 Rated Power: 10.5W max

Features

- Univeral AC input/ Full range
- Energy efficiency level VI
- Leakage Current: < 0.1mA
- Extremely low leakage current
- Protection: Over load/Over voltage/Short circuit
- Withstand voltage : 4KV
- Life Warranty: 3 years

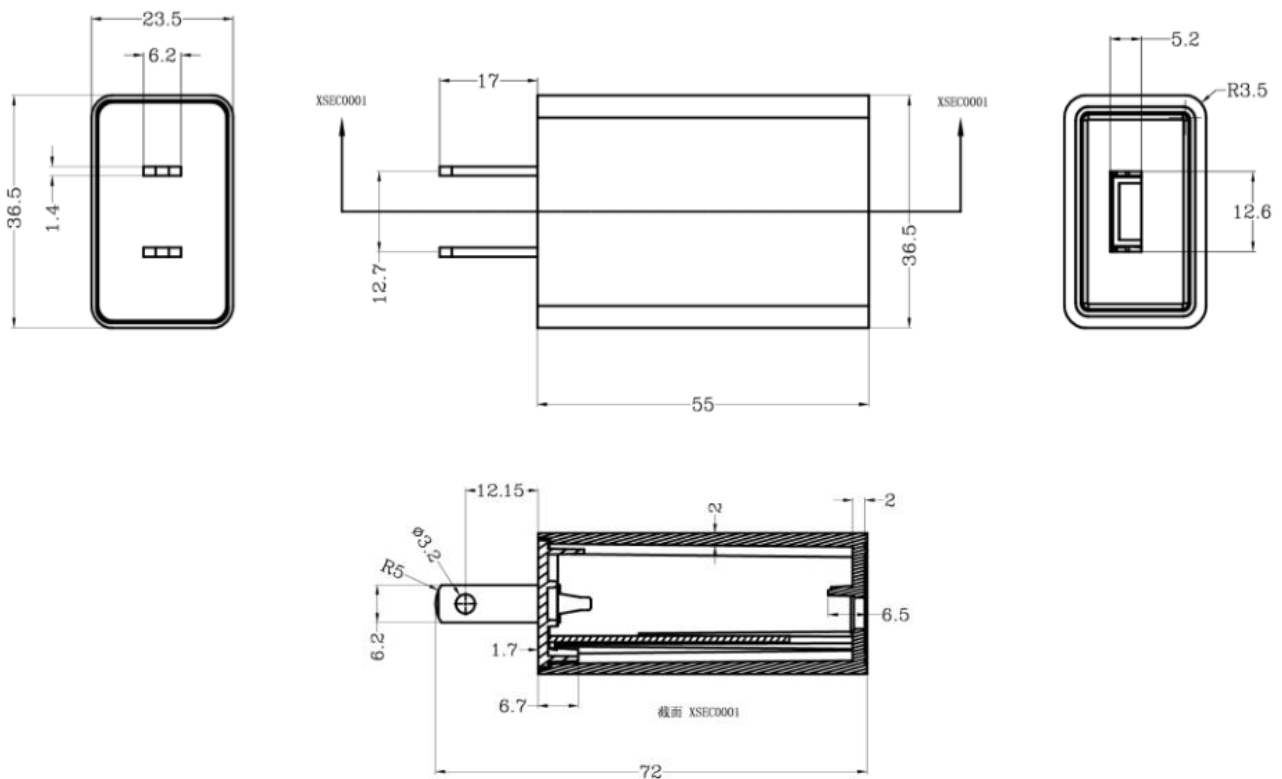


Application

- Digital equipment
- Blood pressure monitor



■ Dimensions and Installation

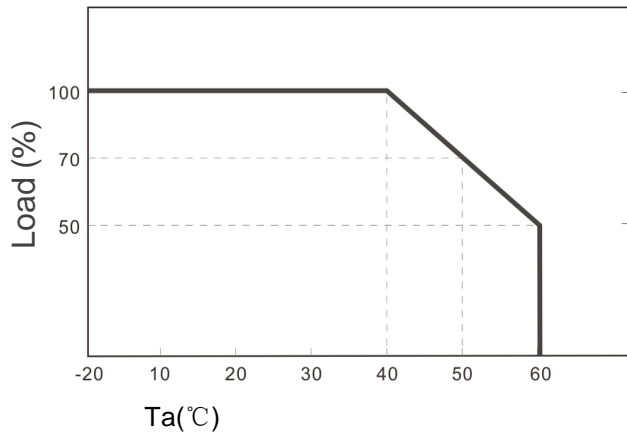


YS10 USB SERIES

MODEL DETAIL SPEC.		YS10-0502100
INPUT	Input Voltage range:	100-240VAC
	Input Frequency:	50/60Hz
	Inrush Current:	65A/ 230VAC
	AC Current:	0.5A/ 230VAC
	Leakage Current:	< 0.1mA/ 240VAC
	Efficiency:	80%
OUTPUT	DC Voltage:	5V
	Rated Current:	2.1A
	Rated Power:	10.5W
	Voltage Tolerance:	±5.0%
	Ripple and Noise:	75mVp-p
	Line Regulation:	±3%
	Load Regulation:	±5%
	Setup, Rise, Hold Up time:	1000ms, 30ms/25ms 230VAC at full load
ENVIRONMENTAL	Operating Temperature:	-20 ~ +60 (Refer to "Derating Curve")
	Storage Temp:	-40°C ~ 85°C
	Storage Humidity:	10 ~ 95% RH
	Working Humidity:	20 ~ 95% RH non-condensing
PROTECTION	Over Load:	105% -150% rated output power
		Protection type: Hiccup mode, recovers automatically after fault condition is removed
	Over Voltage:	105% -130% rated output power
		Protection type: Shut down o/p voltage, re-power on to recover
Short Circuit :	Shut down o/p voltage, re-power on to recover	
SAFETY & EMC	Safety Regulations:	ANSI/AAMI ES60601-1 approved
	Withstand Voltage:	I/P-O/P:4KVAC I/P-FG:2KVAC O/P-FG:0.5KVAC
	Isolation Resistance:	I/P-O/P, I/P-FG, O/P-FG:100M Ohms / 500VDC / 25°C/ 70% RH
	EMC Emission:	FCC Part15/CISPR22, CAN ICES-3(B) NMB-3(B), Class B
	EMC Immunity:	FCC Part15/CISPR22, CAN ICES-3(B) NMB-3(B), Class B
OTHER	MTBF:	100Khrs min. MIL-HDBK-217F(25°C)
	Size:	55*36.5*23.5mm
	Weight:	50g / pcs
	Packaging:	100PCS/CTN

YS10 USB SERIES

Deduction curve and temperature



Minus output and input voltage curves

