

YSDU20 SERIES 24V



yingjiao's 20A DIN rail type DC-Ups module, and it is paired with a power supply and an external battery to achieve the backup function. when the AC mains fails or is interrupted, the load will be immediately connected to the battery pack to avoid interruption and to ensure the continuous operation of the entire system (the operating time depends on the capacity of the battery pack).

Features



Uninterruptible DC-Ups controller



suitable for 24v systems, up to 20A



Complete diagnostic and monitoring for DC BUs OK, battery discharge, battery fail



Cooling by free air convection



protections: Battery reverse polarity protection & short circuit
(By internal detection) Battery reverse polarity / Overcharge / Overcurrent



Three years warranty

DC UPS INPUT

DC NORMAL OPERATINGVOLTAGE	24vdc/vin-1vdc
DC OPERATINGVOLTAGE RANGE	24-29vdc
OUTPUT CURRENT(max.)	20A

DC UPS OUTPUT

VOLTAGE RANGE	21 ~ 29vdc
DISCHARGE CURRENT RANGE	0 ~ 20A
CHARGING CURRENT	2A

BATTERY

NORMAL BATTERYVOLTAGE	24vdc (2 X 12vdc in series or 1 X 24vdc)
BATTERYTYPE	Lead-acid battery
EXTERNAL BATTERY CAPACITIES	4AH ~ 135AH

PROTECTION

BATTERY POLARITY	protected by internal detection, No Damage, ecovers automatically after fault conduction is removed
OVER LOAD	This protection only works when batteries are not connected. EXternal fuse is recommended when batteries are connected.
OVER DISCHARGE CURRENT	21~23A , After 3 sec. unit will cut-of battery discharging by relay
BATTERY DEEP DISCHARGE	cut-of battery discharging by relay after fault condition removed

FUNCTION

RELAY CONTACT RATINGS (max.)	30vDC/1A resistive load
DC BUS OK	Relay contact : short when DC voltage between 21~29v(2%), relay contacts LED(Green) : DC BUs oK : light ; DC BUs fail : dark
BATTERY FAIL	short when battery voltage falls below 22v(2%) or battery failure is observed through the battery test function, relay contacts LED(Red) : Battery over-discharge warning or battery broken : light ; Battery oK : dark.
BATTERY DISCHARGE	Relay contact : short when battery in discharge condition, relay contacts LED(Yellow) : light : Battery discharging ; dark : Battery is not discharging or discharging current < 1.0A

ENVIRONMENT

COOLING	Free air convection
WORKINGTEMP.	-30 ~ +70 °C (Refer to "Derating Curve")
WORKING HUMIDITY	5 ~ 95% RH non-condensing
STORAGETEMP.	-40 ~ +85 °C
TEMP. COEFFICIENT	±0.03%/ °C(0 ~ 60 °C)
VIBRATION	Component:10 ~ 500Hz, 2G 10min./1cycle, 60min. each alongX,Y, Z axes; Mounting: Compliance to IEC60068-2-6
OPERATING ALTITUDE	2000 meters/ovC II

SAFETY & EMC(Note.4)

SAFETY STANDARDS	EAcTpTc 004 approved		
WITHSTANDVOLTAGE	Ip/Op - chassis : 0.5kvac Ip/Op- Relay : 0.5kvac Relay - chassis : 0.5kvac		
ISOLATION RESISTANCE	Ip/Op - chassis, Ip/Op- Relay, Relay - chassis:>100M Ohms / 500vdc / 25 / 70% RH		
EMC EMISSION	parameter	Standard	Test Level / Note
	conducted	-	-
	Radiated	BS EN/EN55032(clSpR32)	class B
	voltage Flicker	-	-
	Harmonic current	-	-
EMC IMMUNITY	BS EN/EN55035, BS EN/EN61000-6-2 , BS EN/EN61204-3		
	parameter	Standard	Test Level / Note
	ESD	BS EN/EN61000-4-2	Level 3, 8kv air ; Level 2, 4kv contact ; criteria B Level 2, 4kv air ; Level 1, 2kv contact ; criteria A
	Radiated	BS EN/EN61000-4-3	Level 3, 10v/m ; criteria A
	EFT / Burst	BS EN/EN61000-4-4	Level 3, 2kv ; criteria A
	Surge	BS EN/EN61000-4-5	Level 3, 0.5kv(Dc input ports)
	conducted	BS EN/EN61000-4-6	Level 3, 10v ; criteria A
	Magnetic Field	BS EN/EN61000-4-8	Level 4, 30A/m ; criteria A

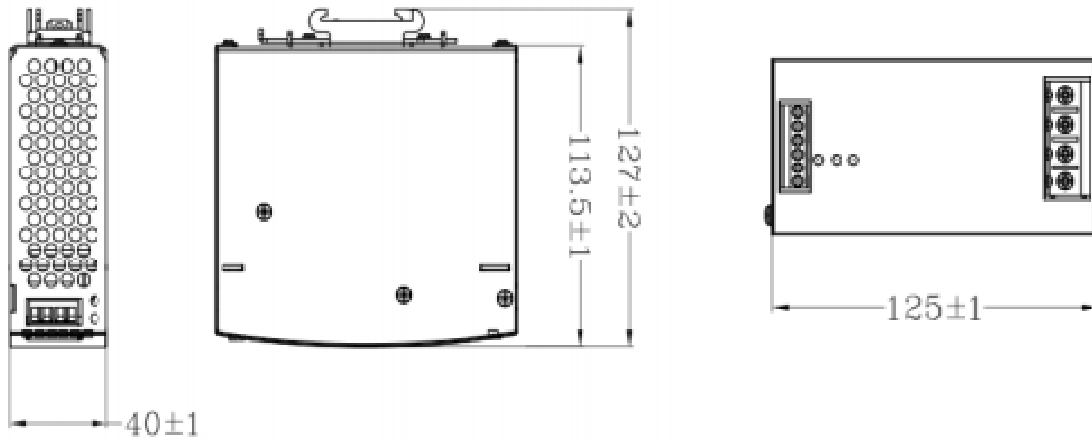
Dimensions & weight

Length	40mm / 1.57in
width	125mm / 4.92in
Height	113mm / 4.45in
weight	0.31kg

packing

Carton Size	31.5 X 30 X 30 cm
	12.4 X 11.8 X 11.81in
Master Carton Quantities	20pcs/carton

Mechanical SpecificatiOn



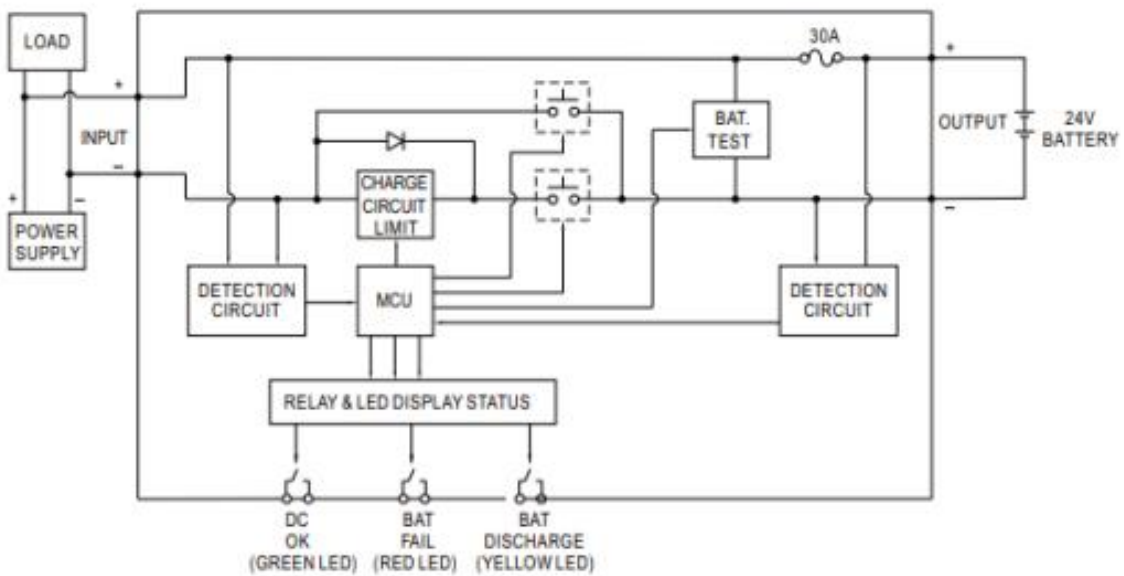
output

Pin No.	Assignment	LED
1	BAT Discharge	YELLOW
2		
3	BAT Fail	RED
4		
5	DC OK	GREEN
6		

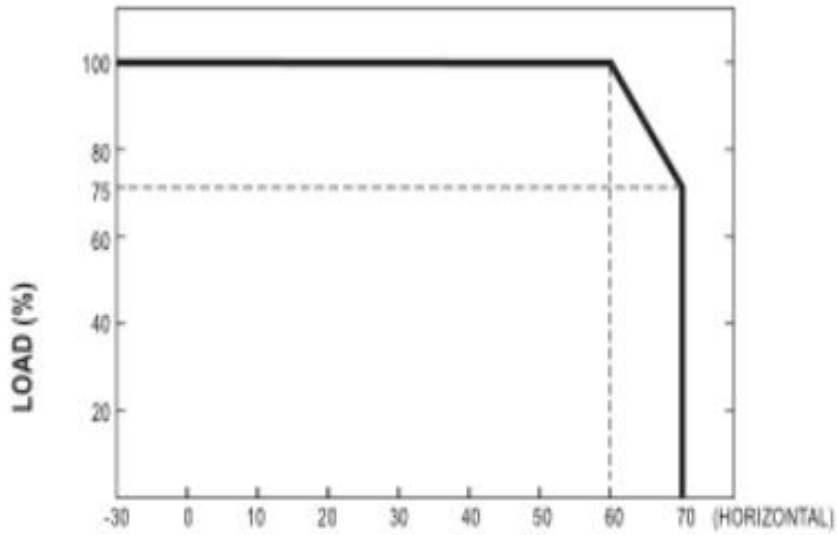
Input

Pin No.	Assignment
1	BAT INPUT +
2	BAT INPUT -
3	DC INPUT -
4	DC INPUT +

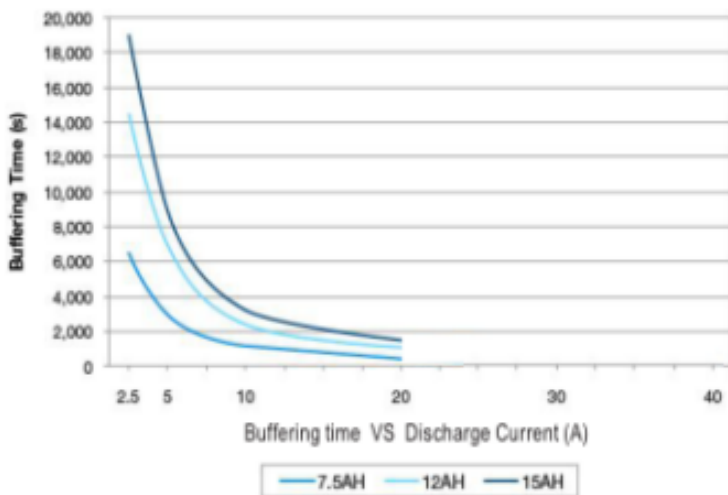
Block Diagram



Derating curve



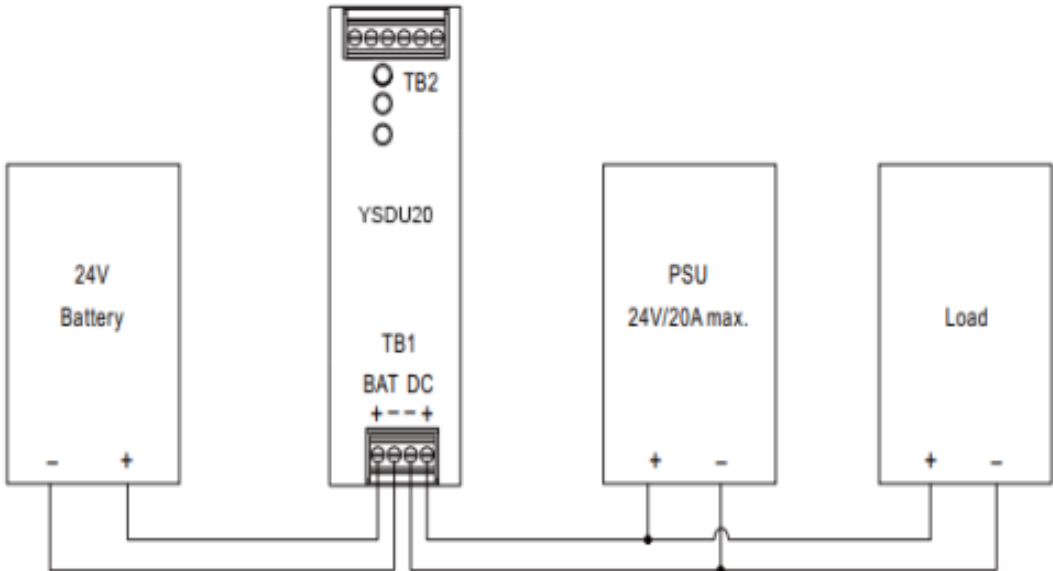
Bufering Time



Discharge Current	Buffering Time(Reference)		
	7.5AH	12AH	15AH
2.5A	6500s	14500s	19000s
5A	3000s	7000s	9000s
10A	1200s	2400s	3200s
20A	400s	1100s	1500s

suggested APPLication

1.Backup connection for Ac interruption



2.combine redundancy module (YSDR20) to backup Ac interruption or failure of pSu

