

YSDT240 SERIES 240W



YSDT series are designed with metal housing and for three phase system with wide range from 340V AC to 550 V AC..

The series offer built-in constant current limiting circuit and active PFC function, and operating in wide temperature range.

They are suitable for industrial-related applications such as industrial control, semiconductor fabrication equipment, and factory automation etc.



Features



3-Phase 340~550VAC Wide Range Input
(2-phase operation possible)



Built-in Passive PFC Function



Protection: Short Circuit/Overload
/Over Voltage/Over Temperature



DC OK Relay Contact



Built-in Constant Current Limiting Circuit



High Efficiency 92% and
Low Power Dissipation



Full Power Between -30~+60 °C



Three Years Warranty

Model Information

Yingjiao Part number	DC VOLTAGE	RATED CURRENT	RATED POWER	VOLTAGE ADJ. RANGE
YSDT240-24	24V	10A	240W	24 ~ 28V
YSDT240-48	48V	5A	240W	48 ~ 55V

Input

RATED INPUT (Certified Voltage)	Three-Phase 380~ 480VAC (Dual phase operation possible in connecting L1,L3,FG or L2,L3,FG) or 480 ~ 780VDC
NOMINAL INPUT VOLTAGE RANGE	340 ~ 550VAC/450 ~ 850VDC
FREQUENCY RANGE	47~63Hz
POWER FACTOR (Typ.)	PF \geq 0.53/400VAC at full load PF \geq 0.52/500VAC at full load
EFFICIENCY (Typ.)	92%
AC CURRENT (Typ.)	0.69A/400VAC 0.6A/500VAC
INRUSH CURRENT (Typ.)	COLD START 50A
LEAKAGE CURRENT	<2mA / 530VAC

Output

RIPPLE & NOISE (max.)	100mVp-p YSDT240-24 120mVp-p YSDT240-48
VOLTAGE TOLERANCE	\pm 1.0%
LINE REGULATION	\pm 0.5%
LOAD REGULATION	\pm 1.0%
SETUP, RISE TIME	2000ms, 60ms/400VAC at full load 1500ms, 60ms/500VAC at full load
HOLD UP TIME (Typ.)	20ms / 400VAC at full load 40ms / 500VAC at full load

Protection

OVER LOAD	105 ~ 130% rated output power Protection type : Constant current limiting, unit will hiccup after 3 sec.
OVER VOLTAGE	30~36V YSDT240-24 56~65V YSDT240-48 Protection type : Hiccup mode, recovers automatically after fault condition is removed.
OVER TEMPERATURE	Shut down o/p voltage, recovers automatically after temperature goes down

Function

DC OK REALY CONTACT RATINGS (max.)	60VDC/0.3A, 30VDC/1A, 30VAC/0.5A resistive load
---	---

Environment

WORKING TEMP.	-30 ~ +70 °C (Refer to "Derating Curve")
WORKING HUMIDITY	20 ~ 95% RH non-condensing
STORAGE TEMP., HUMIDITY	-40 ~ +85 °C, 10 ~ 95% RH non-condensing
COLD START	-40 °C
TEMP. COEFFICIENT	± 0.05%/°C (0 ~ 60 °C)
VIBRATION	Component:10 ~ 500Hz, 2G 10min./1cycle, 60min. each along X, Y, Z axes; Mounting: Compliance to IEC60068-2-6
OPERATING ALTITUDE	5000 meters
OVER VOLTAGE CATEGORY	III ; According to EN61558, EN50178, EN60664-1, EN62477-1, EN60204-1; altitude up to 2000 meters
MTBF	1500K hrs min. Telcordia SR-332(Bellcore)

SAFETY & EMC

SAFETY STANDARDS	UL61010-1, UL61010-2-201, BS EN/EN61010-1
WITHSTAND VOLTAGE	I/P-O/P:4.87KVAC I/P-FG:2.4KVAC O/P-FG:0.5KVAC O/P-DC OK:0.5KVAC
ISOLATION RESISTANCE	I/P-O/P, I/P-FG, O/P-FG:>100M Ohms / 500VDC / 25 °C / 70% RH
EMC EMISSION	BS EN/EN55032(CISPR32)
EMC IMMUNITY	BS EN/EN61000-4-2, 3, 4, 5, 6, 8

Note

- 1.All parameters NOT specially mentioned at 400VAC input, rated load and 25 °C of ambient temperature.
- 2.Ripple&noise are measured at 20MHz of bandwidth by using a 12" twisted pair-wire terminated with a 0.1uF & 47uF parallel capacitor.
- 3.Installation clearances: top with 40mm, bottom with 20mm, left and right with 5mm. Increase the space to 10-15mm when the adjacent device is heat source.
- 4.The ambient temperature derating of 3.5 °C /1000m for operating altitude higher than 2000m(6500ft).
- 5.The power supply is considered a component which will be installed into a final equipment. The final equipment must be re-confirmed that it still meets EMC directives. For guidance on how to perform these EMC tests, please refer to "EMI testing of component power supplies."

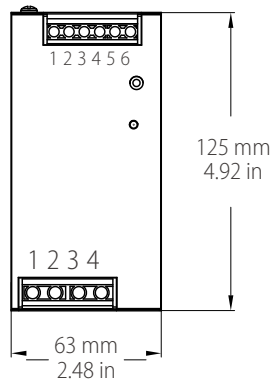
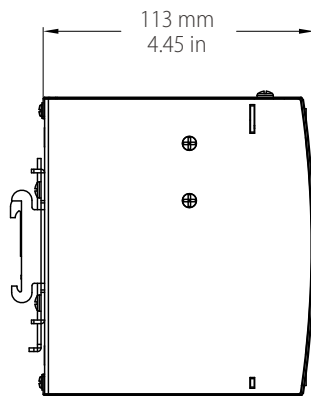
Dimensions & Weight

Length:	63mm / 2.48in
Width:	113mm / 4.45in
Height:	125mm / 4.92in
Weight:	1kg

Packing

Carton Size:	52.5 x 33 x 17.5 CM
	20.7 x 13 x 6.9 in
Master Carton Quantities:	10pcs / Carton

Mechanical Specification



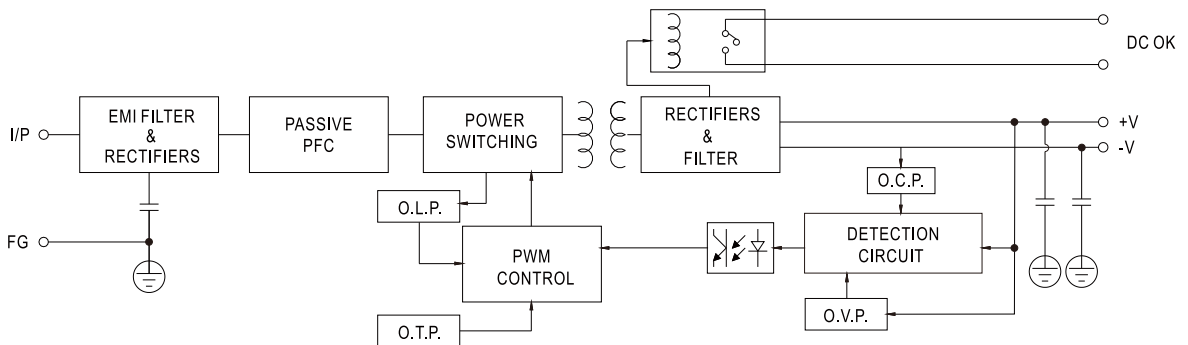
Input

No.	Description
1	AC/L1
2	AC/L2 or DC -
3	AC/L3 or DC +
4	FG ⊕

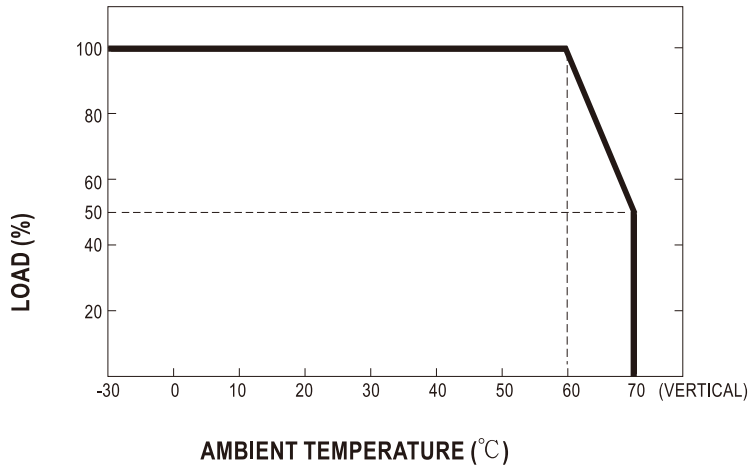
Output

No.	Description
1,2	DC OUTPUT +V
3,4	DC OUTPUT -V
5,6	DC OK Relay Contact

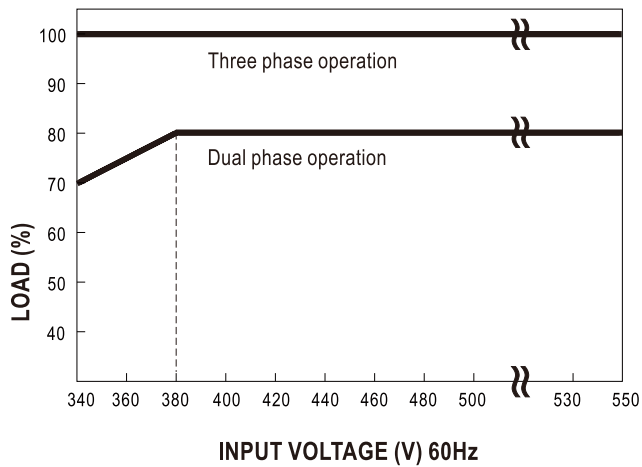
Block Diagram



Deduction Curve and Temperature



Minus Output and Input Voltage Curves



DC OK RELAY CONTACT

Contact Close	PSU turns on / DC OK.
Contact Open	PSU turns off / DC Fail.
Contact Ratings (max.)	30VDC/1A, 30VAC/0.5A resistive load.

Output

No.	Description
5,6	DC OK Relay Contact

