

YS80F SERIES



Input: 100-240VAC 50/60Hz
Output Voltage: 5V-36V DC
Rated Power:72W max

Features

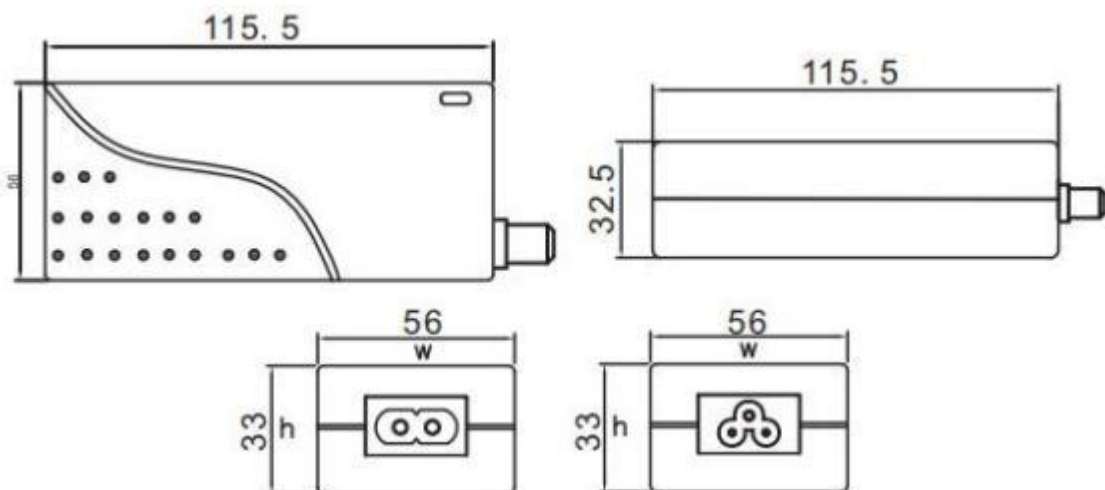
- Univeral AC input/ Full range
- Energy efficiency level VI
- Leakage Current: < 0.25mA
- Extremely low leakage current
- Protection:Over load/Over voltage/Short circuit
- Withstand voltage : 6KV
- Life Warranty: 3 years

Application

- Set top box
- Amplifier
- multi-switcher
- Television device



■ Dimensions and Installation

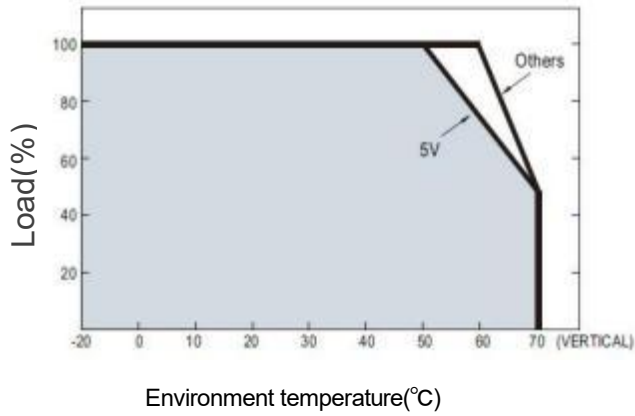


YS80F SERIES

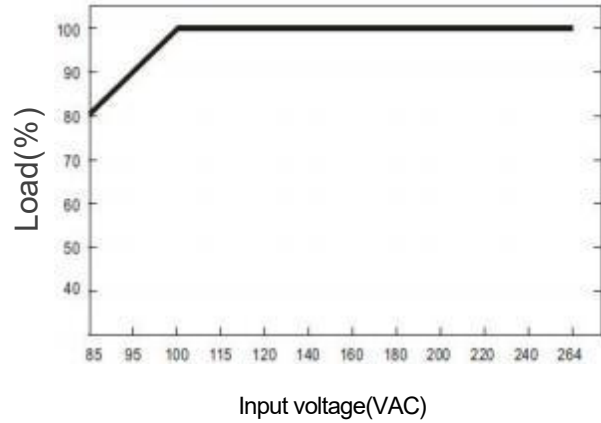
| MODEL DETAIL SPEC. | | YS80F-0501000 | YS80-1200700 | YS80-1500600 | YS80-1900474 | YS80-2400375 | YS80-4800200 |
|--------------------|----------------------------|---|--------------|--------------|--------------|--------------|--------------|
| INPUT | Input Voltage: | 100-240VAC | | | | | |
| | Input Frequency: | 50/60Hz | | | | | |
| | Inrush Current: | 65 Amps max. at 230VAC/50Hz,full load | | | | | |
| | AC Current: | 0.6A max. | | | | | |
| | Leakage Current: | 0.25mA Max. at 264VAC input | | | | | |
| | Efficiency: | 81.5% | 82.0% | 85.0% | 85.5% | 85.5% | 85.0% |
| OUTPUT | DC Voltage: | 5V | 12V | 15V | 19V | 24V | 48V |
| | Rated Current: | 10A | 7A | 6A | 4.74A | 3.75A | 2A |
| | Rated Power: | 50W | 84W | 90W | 90.06W | 90W | 96W |
| | Voltage Tolerance: | ±5.0% | ±5.0% | ±5.0% | ±5.0% | ±5.0% | ±5.0% |
| | Ripple and Noise: | 50mVp-p | 80mVp-p | 100mVp-p | 120mVp-p | 150mVp-p | 180mVp-p |
| | Line Regulation: | ±3% | | | | | |
| | Load Regulation: | ±5% | ±5% | ±5% | ±5% | ±5% | ±5% |
| | Setup, Rise, Hold Up time: | 500ms, 30ms/120ms 230VAC 1000ms, 30ms/25ms 115VAC at full load | | | | | |
| ENVIRONMENTAL | Operating Temperature: | -20 ~ +60 (Refer to "Derating Curve") | | | | | |
| | Storage Temp: | -40°C ~ 85°C | | | | | |
| | Storage Humidity: | 10 ~ 95% RH | | | | | |
| | Working Humidity: | 20 ~ 95% RH non-condensing | | | | | |
| PROTECTION | Over Load: | Above 105% rated output power Protection type: Hiccup mode, recovers automatically after fault condition is removed | | | | | |
| | Over Voltage: | 5V:5.75~ 6.75V 6V: 6.7~8.1V 9V: 10.35~12.15V 12V:13.8 ~ 16.2V 15V:17.25 ~ 20.25V 24V:27.6 ~ 32.4V 36V: 41.4~48.6V Protection type: Shutdown o/p voltage, re-power on to recover | | | | | |
| | Over Temperature: | Shutdown o/p voltage, re-power on to recover | | | | | |
| SAFETY & EMC | Safety Regulations: | UL62368-1, EN62368-1 | | | | | |
| | Withstand Voltage: | I/P-O/P:3KVAC I/P-FG:2KVAC O/P-FG:0.5KVAC | | | | | |
| | Isolation Resistance: | I/P-O/P, I/P-FG, O/P-FG:100M Ohms / 500VDC / 25°C/ 70% RH | | | | | |
| | EMC Emission: | Compliance to BS EN/EN55032 (CISPR32), BS EN/EN61204-3 Class B, BS EN/EN61000-3-2,-3, EAC TP TC 020, CNS13438 Class B | | | | | |
| OTHER | Size: | 69*27*38mm | | | | | |
| | Weight: | 76g / pcs | | | | | |
| | Packaging: | 100PCS/CTN | | | | | |

YS80F SERIES

Deduction curve and temperature



Minus output and input voltage curves



Functional Diagram

